

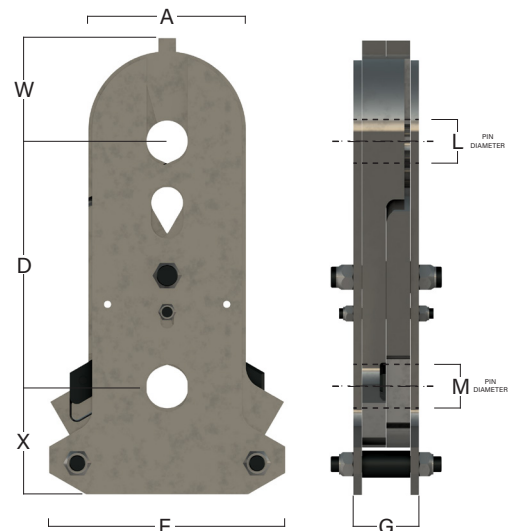
DETACHING HOOKS



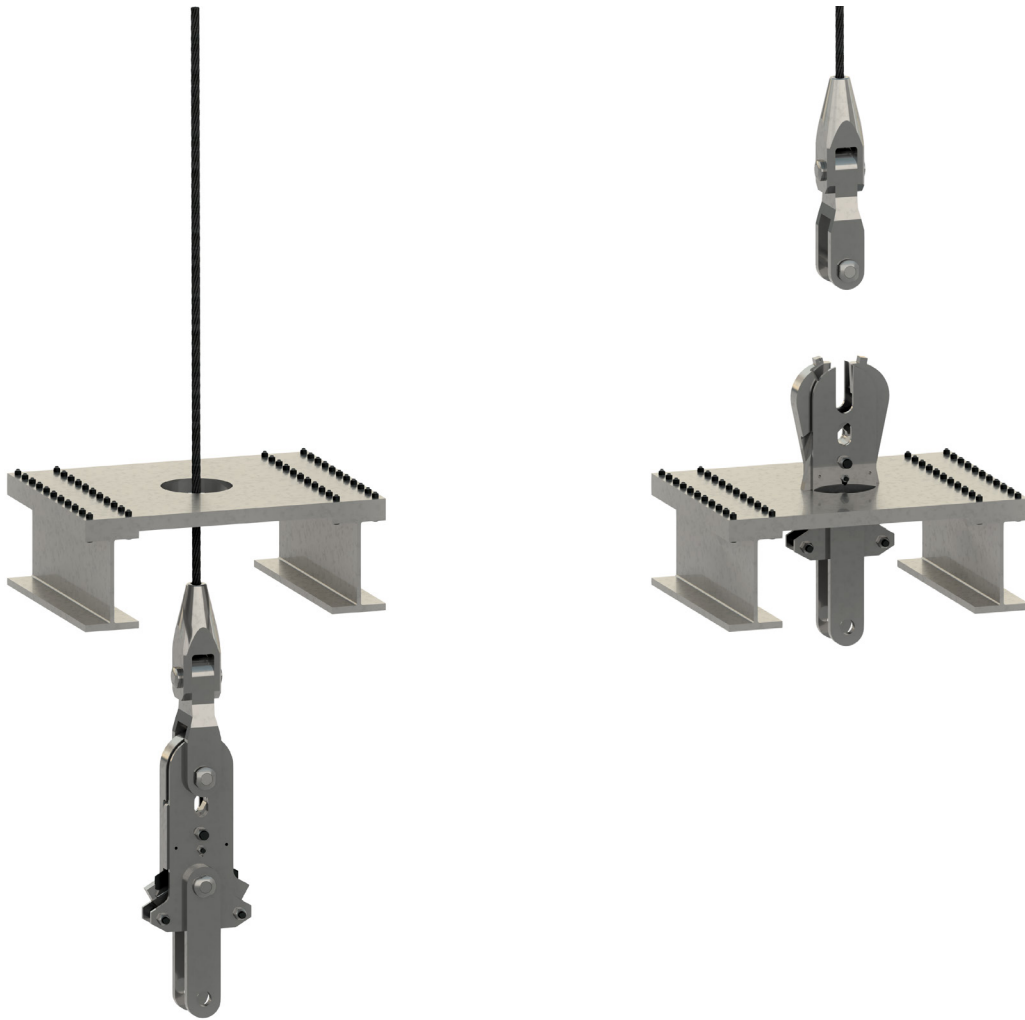
DIMENSIONS & DATA

SAFE WORKING LOAD SF = 10:1 tonf	A	W	D	X	F	G	L	M	APPROX WEIGHT
	in	in	in	in	in	in	in	in	lb
4	6	3 1/2	13 1/4	3 1/2	9	2 1/2	1 1/2	1 5/8	72
5	7	4	15 1/4	4 1/4	10 1/2	3	1 3/4	1 7/8	112
6 1/2	8	4 3/4	17 3/8	4 5/8	12	3 1/4	1 7/8	2	154
8	9	5 1/4	19	5 3/8	13 1/2	3 1/2	2	2 1/4	216
10	10	5 7/8	22	6	15	3 1/2	2 1/4	2 3/8	360
12	10	5 7/8	22	6	15	4	2 3/8	2 1/2	366
15	12	6 3/4	24 1/2	6 1/2	18	4 1/2	2 3/8	3	476
20	12	6 3/4	24 3/4	6 1/2	18	4 1/2	3 1/4	3 3/8	585
25	14	7 3/4	22	9 1/2	21	5 1/2	3 1/4	3 1/4	654
30	14	8	22	9 1/2	21	5 3/4	3 5/8	3 5/8	700
35	14	8 1/4	23 1/4	9 1/2	21	6 1/4	3 7/8	3 7/8	804

ton = 2240 lb



CATCHPLATES



DIMENSIONS & DATA

SAFE WORKING LOAD SF = 10:1 tonf	N	O	P	Q
	in	in	in	in
4	1	30	18	6 5/32
5	1 1/8	33	21	7 5/32
6 1/2	1 1/4	33	24	8 3/16
8	1 3/8	33	24	9 3/16
10	1 1/2	36	27	10 3/16
12	1 3/4	36	27	10 3/16
15	2	36	27	12 1/4
20	2 1/2	36	27	12 1/4
25	2 3/4	TO SUIT	TO SUIT	14 5/8
30	3	TO SUIT	TO SUIT	14 5/8
35	3 1/2	TO SUIT	TO SUIT	14 5/16

ton = 2240 lb

